



280x280x80mm

AA250-80T Series

AC Square Axial Fan



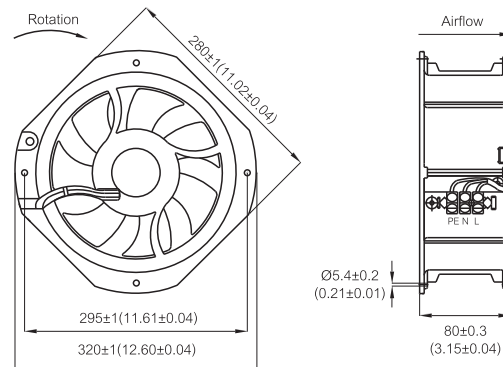
Specification:

Air Flow	1065~1170 CFM
Housing	Die-cast Aluminum
Blades	Sheet-Steel,Welded onto Rotor
Bearing	Dual Ball Bearing, Permanently Lubricated
Termination	Terminals
Operating Voltage Range	85VAC to 125VAC for 115V Type 185VAC to 245 VAC for 230V Type
Insulation	Class "B" or "F"
Safety	Thermally Protected (Auto Restart)
Operating Temperature	-20°C to +60°C (Humidity 30%~85% RH)
Weight	2760g



Item Code	Rated Voltage	Frequency (Hz)	Rated Current(A)	Input Power(W)	Speed (RPM)	Air Flow (CFM)	Air Flow (m³/min)	Static Pressure (inch-H ₂ O)	Noise dB(A)	Capacitor (μF)
AA1V250-80T-FMC-B1-2C	115V	50/60	1.14/1.60	129/180	2550/2800	1065/1170	30.16/33.13	0.84/0.75	68/70	16μF 200VAC
AA2V250-80T-FMC-B1-2C	230V	50/60	0.57/0.79	129/180	2550/2800	1065/1170	30.16/33.13	0.84/0.75	68/70	4μF 400VAC

Outline Drawing: Unit:mm(Inch)



Characteristic Curves:

